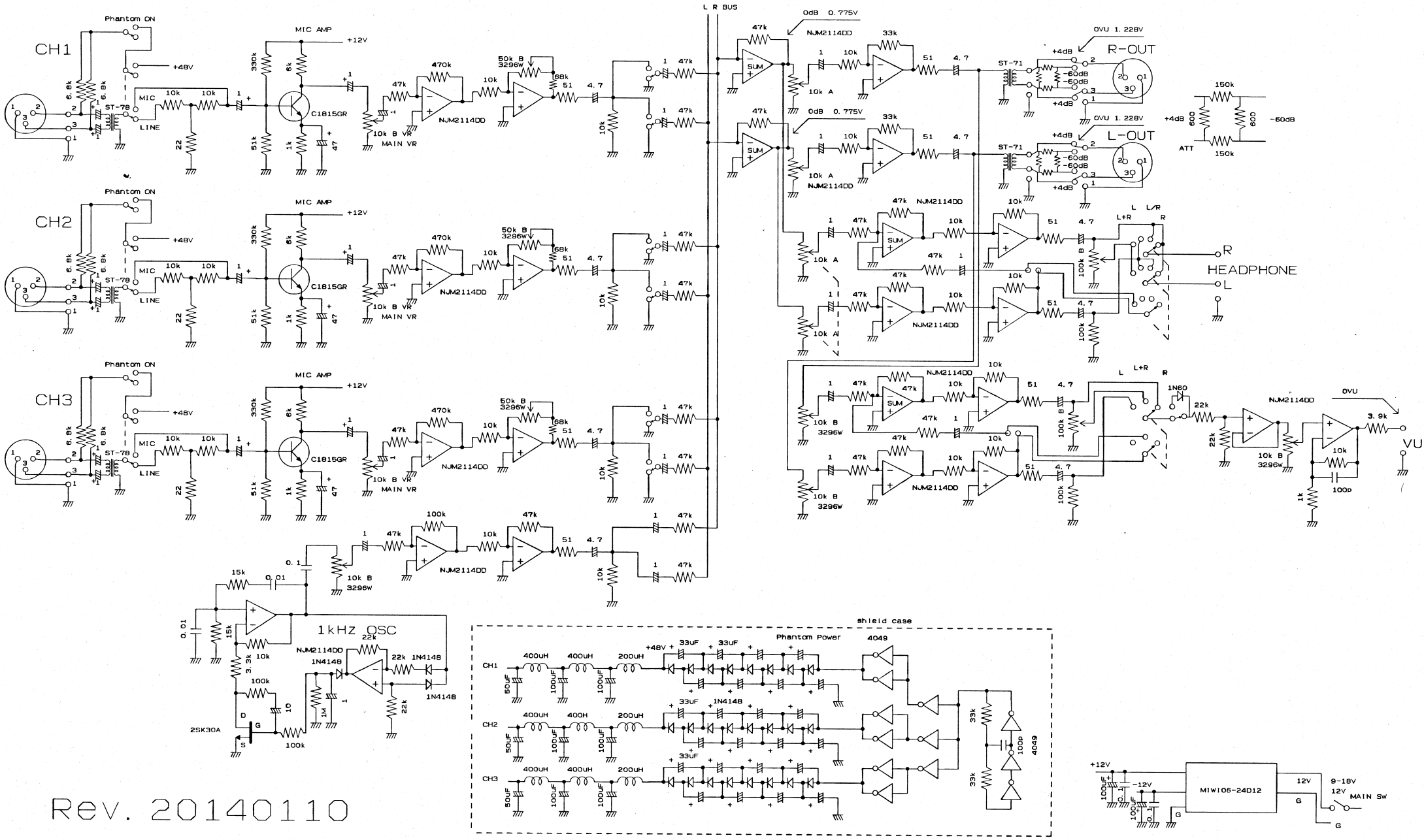


# Portable Mixer M-2a



Rev. 20140110